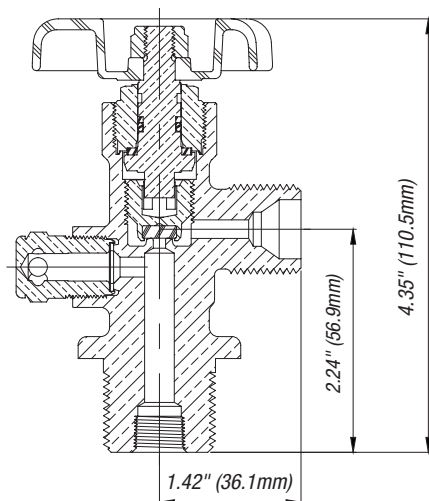


GSV MRI Series

Global Valves for Use in MRI Environments



GSV54051-XXMRI



High Capacity Oxygen Valve designed for use in Magnetic Resonance Environments (MRI), specifically when installed on high-capacity aluminum cylinders.

Key Features & Benefits

- Supports aluminum cylinder capacity to 265 cu. ft. with various straight-threaded inlet sizes to fit your needs
- Special construction process significantly reduces magnetic attraction
- Tested and meets all known tests for MRI-compatible components used in conjunction with a magnetic resonance imager for Level 3 Tesla requirements
- Clearly identified for hospital settings with ASTM standard F 2503-05 markings
- 100% helium leak tested
- Heavy-duty forged brass body for durability and high pressure
- Precisely machined internal components meet the most stringent international valve performance standards
- Pressure Relief Device (PRD) is a unitized plug design which provides excellent flow characteristics, ensures proper assembly and tamper resistance
- Metal-to-metal seal below bonnet threads prevents pressure in the threads at the top of the valve body
- Direct-drive stem design with optimized O-ring (GSV) seal reduces friction and operates at exceptionally low torque levels
- Inlet and outlet thread configurations are available for a broad spectrum of customer, country and code specifications
- Tapped for dip tube as required

For Product Markings Reference, see **A** in Appendix

Ordering Information				
Sherwood Part Number	Gas Service @ 70° F	CGA	Outlet Thread Size	Inlet Thread Size
GSV32051-XXMRI	0–3000 PSI	320	.825–14 NGO RH Ext.	1½–12 UNF
GSV32051-XX-75MRI	0–3000 PSI	320	.825–14 NGO RH Ext	¾–16 UNF
GSV32651-XXMRI	0–3000 PSI	326	.825–14 NGO RH Ext	1½–12 UNF
GSV32651-XX-75MRI	0–3000 PSI	326	.825–14 NGO RH Ext	¾–16 UNF
GSV34651-XXMRI	0–3000 PSI	346	.825–14 NGO RH Ext	1½–12 UNF
GSV34651-XX-75MRI	0–3000 PSI	540	.903–14 NGO RH Ext.	¾–16 UNF
GSV54051-XXMRI	0–3000 PSI	540	.903–14 NGO RH Ext	1½–12 UNF
GSV54051-XX-75MRI	0–3000 PSI	540	.903–14 NGO RH Ext	¾–16 UNF
GSV58051-XX-MRI	0–3000 PSI	580	.965–14 NGO RH Ext.	¾–16 UNF
GSV58051-XX-75MRI	0–3000 PSI	580	.965–14 NGO RH Int.	1½–12 UNF

For more information, refer to GSV Design Specification page



SWD0215 ©2023 Sherwood Valve, LLC



www.sherwoodvalve.com • 888.508.2583