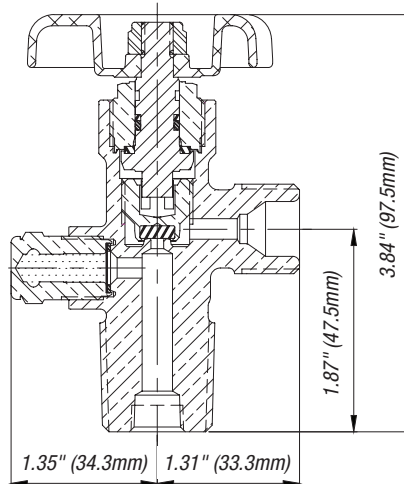
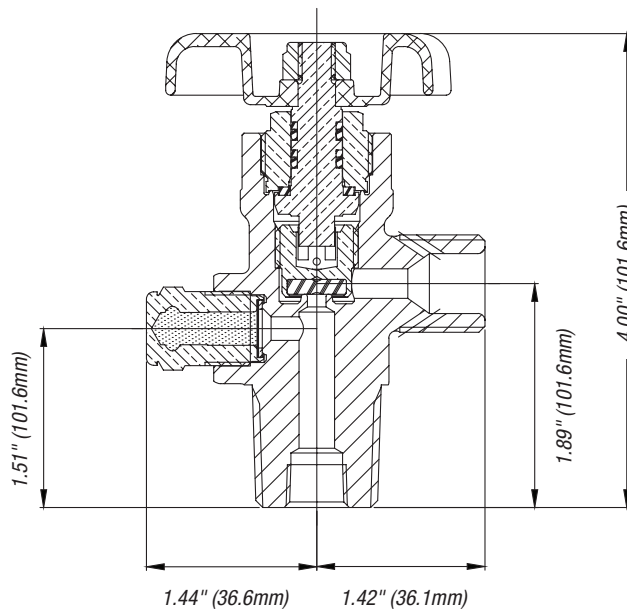


NGSV, NGSHV & NGSRPV Series

Global Industrial Gas Valves for Hydrocarbon-Based Flammable Gases



NGSV Series
Up to 3,500 PSI Working Pressure



NGSVH
Up to 6,400 PSI Working Pressure

Global valve for hydrocarbon-based flammable gases, including compressed natural gas (CNG), methane, ethane and other similar gases.

Key Features & Benefits

- Heavy-duty forged brass body for durability and high pressure
- Precisely machined internal components meet the most stringent international valve performance standards
- Reduced internal stress zones
- Innovative valve core design
- Durable Buna-N O-ring and PTFE backup O-ring compatible with flammable gases
- Pressure Relief Device (PRD) unitized plug design provides excellent flow characteristics
- Metal-to-metal seal below bonnet threads prevents pressure in the threads at top of valve body
- Direct-drive stem design with optimized O-ring (NGV) or double O-ring (NGVHM) seal reduces friction and operates at exceptionally low torque levels
- Inlet tapped (1/4" NPT) for dip tube as required

For Product Markings Reference, see **A** in the Appendix

Alternative Energy Valves

NGSV, NGSVH & NGRPV Series

Global Industrial Gas Valves for Hydrocarbon-Based Flammable Gases

Design Specifications		
	English	Metric
Maximum Working Pressure	NGSV: 3,500 PSI NGSHV: 6,400 PSI	NGSV: 241 Bar NGSHV: 413 Bar
Burst Working Pressure	NGSV: 10,000 PSI NGSHV: 13,500 PSI	NGSV: 689 Bar NGSHV: 931 Bar
Operating Temperature Range	-50° F to +130° F	-45° C to +54° C
Leak Rate Internal/External	1x10 ⁻³ atm cc/sec.	1x10 ⁻³ Bar mL./sec.
Minimum Cycle Life	2000 Cycles	
Cv Flow Factor	Standard: .690	
Operating Torque	NGSV: 10–20 in.-lbs. NGSVH: 10–20 in.-lbs.	NGSV: 1.1–2.2 N-m NGSVH: 1.1–2.2 N-m
Bonnet Assembly Torques	NGSV: 50–60 ft.-lbs. NGSVH: 60–70 ft.-lbs.	NGSV: 67.8–81.3 N-m NGSVH: 81.3–94.9 N-m
PRD Assembly Torques	NGSV: 25–35 ft.-lbs. NGSVH: 40–50 ft.-lbs.	NGSV: 33.9–47.4 N-m NGSVH: 54.2–67.8 N-m
PRD Torques	NGSV: 25–35 ft.-lbs. NGSVH: 40–50 ft.-lbs.	NGSV: 33.9–47.4 N-m NGSVH: 54.2–67.8 N-m
NGRPV Cap Assembly Torques	15–25 ft.-lbs.	20.3–33.9 N-m

Standards Conformance	
CGA V-9	Standard for Gas Cylinder Valves
CGA S1.1	Standard for Pressure Relief Devices
CGA V-1	Compressed Gas Cylinder Valve Outlet and Inlet Specifications
ISO 10297	International Standard for Cylinder Valves Design Specifications
ISO 11363-1	25E Inlet Thread Specifications
ISO 15996	International Standard for Residual Pressure Valves Design Specifications (NGRPV)
A-A-59860	US General Services Administration Standards for Gas Cylinder Valves

Part Description	Materials of Construction
Body	Brass C37700; Chrome Plating When Applicable
Bonnet	Brass C36000; Chrome Plating When Applicable
Handwheel	Aluminum A380
Handwheel Nut	Steel Class 8, Zinc Plating
Lower Plug	Brass C48500
Lower Plug Seat	Nylon, Zytel 101
Lubricant	Christo-Lube
Pressure Relief Device	Brass C36000; Chrome Plating When Applicable
Plug	Nickel Alloy 201; Copper C22000
Rupture Disc	Copper C11000
Seal Gasket	
Stem	Brass C36000
O-Ring	Buna-N
Back-up O-Ring	PTFE
Thrust Washer	Delrin® 500 AF

Replacement Parts		
Sherwood Part Number	Description	Quantity
1251-6PK	Handwheel Nut	100
1919APK	Handwheel	200
P625-19X9-XXPK	Pressure Relief Device Unitized Assembly Includes Plug, Rupture Disc and Webbed Seal Washer	100
P625-19X9H-XXPK	Pressure Relief Device Unitized Assembly Includes Plug, Rupture Disc and Webbed Seal Washer	50

NGSV, NGSHV & NGSRPV Industrial Gas Valves for Hydrocarbon Based Flammable Valves

For further ordering information, refer to the Selection of Pressure Relief Devices, the Pressure Relief Device Numbering Matrix, and the Valve Part Numbering Matrix.

NGSV and NGSHV Series

Ordering Information				
Sherwood Part Number	Gas Service @ 70° F	CGA Outlet	Outlet Thread Size	Inlet Thread
<i>Ethane</i>				
NGSV35061-XX	0 PSI–3000 PSI	350	.825–14 NGO LH Ext.	¾" NGT
<i>Ethylene</i>				
NGSV35061-XX	0 PSI–3000 PSI	350	.825–14 NGO LH Ext.	¾" NGT
<i>Methane</i>				
NGSV3506X-XX	0 PSI–3000 PSI	350	.825–14 NGO LH Ext.	¾" NGT
NGSV35025EX-XX	0 PSI–3000 PSI	350	.825–14 NGO LH Ext.	25E ISO
NGSHV6956X-XX	3001 PSI–4700 PSI	695	1.045–14 NGO LH Int.	¾" NGT
NGSHV69525EX-XX	3001 PSI–4700 PSI	695	1.045–14 NGO LH Int.	25E ISO
NGSHV7036X-XX	4701 PSI–6400 PSI	703	1.125–14 NGO LH Int.	¾" NGT
NGSHV70325EX-XX	4701 PSI–6400 PSI	703	1.125–14 NGO LH Int.	25E ISO
<i>Natural Gas</i>				
NGSV3506X-XX	0 PSI–3000 PSI	350	.825–14 NGO LH Ext.	¾" NGT
NGSV35025EX-XX	0 PSI–3000 PSI	350	.825–14 NGO LH Ext.	25E ISO
NGSHV6956X-XX	3001 PSI–4700 PSI	695	1.045–14 NGO LH Int.	¾" NGT
NGSHV69525EX-XX	3001 PSI–4700 PSI	695	1.045–14 NGO LH Int.	25E ISO
NGSHV7036X-XX	4701 PSI–6400 PSI	703	1.125–14 NGO LH Int.	¾" NGT
NGSHV70325EX-XX	4701 PSI–6400 PSI	703	1.125–14 NGO LH Int.	25E ISO

NGSRPV Series

Ordering Information				
Sherwood Part Number	Gas Service @ 70° F	CGA Outlet	Outlet Thread Size	Inlet Thread
<i>Ethane</i>				
NGSRPV35061-XX	0 PSI–3000 PSI	350	.825–14 NGO LH Ext.	¾" NGT
<i>Ethylene</i>				
NGSRPV35061-XX	0 PSI–3000 PSI	350	.825–14 NGO LH Ext.	¾" NGT
<i>Methane</i>				
NGSRPV3506X-XX	0 PSI–3000 PSI	350	.825–14 NGO LH Ext.	¾" NGT
NGSRPV35025EX-XX	0 PSI–3000 PSI	350	.825–14 NGO LH Ext.	25E ISO
<i>Natural Gas</i>				
NGSRPV3506X-XX	0 PSI–3000 PSI	350	.825–14 NGO LH Ext.	¾" NGT
NGSRPV35025EX-XX	0 PSI–3000 PSI	350	.825–14 NGO LH Ext.	25E ISO

X-XX in Part Number = safety type (X-) and safety pressure (-XX).

For example, NGSV3504X-XX with a safety type of CG-5 and 4000 PSI safety pressure would be NGSV35045-38.