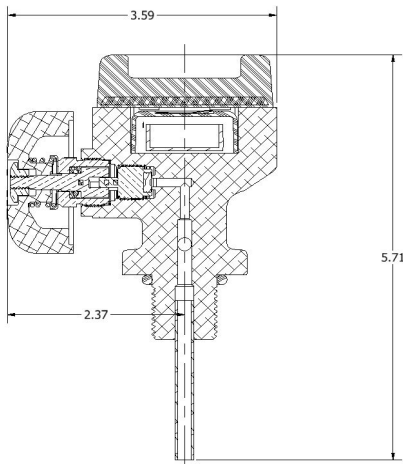


YV Series

SCBA Cylinder Valves



YV4700HP



SCBA valves specialize in gas cylinder applications for respiratory protection and protective equipment. Our SCBA valves are mainly used by fire fighters for rescue operations, oil and gas, utilities and mining service industries.

Key Features & Benefits

- Made of durable lightweight, forged aluminum, the product line meets the stringent performance requirements of NIOSH and NFPA.
- Innovative stem seal provides leak-free stem seal, long cycle life and resistance to corrosion
- Outlet locations offered with 90°, 150°, and 180° outlet configurations
- Includes rubber bumper to protect valve and gauge
- Luminescent valve gauge is doubled-sided for ease of readability
- Various options for locking and non-locking handwheel options available
- Available in both low pressure (2265 PSI) and high pressure (4500 PSI) cylinder configurations

Ordering Information

Sherwood Part Number	Outlet Thread Size	Inlet Thread Size	Pressure	Features
YV2300	CGA 346 180°	.750 -16UNF-2A	2265 PSI	Small locking handwheel
YV2301	CGA 346 180°	.750 -16UNF-2A	2265 PSI	Small non-locking handwheel
YV2301A	CGA 346 180°	.750 -16UNF-2A	2265 PSI	Large Diamond handwheel
YV4500	CGA 347 180°	.875 -16UNF-2A	4500 PSI	Small locking handwheel
YV4501	CGA 347 180°	.875 -16UNF-2A	4500 PSI	Small non-locking handwheel
YV4501A	CGA 347 180°	.875 -16UNF-2A	4500 PSI	Large Diamond handwheel
YV4522HPH	CGA 347 150°	.875 -16UNF-2A	4500 PSI	Tri-lobe handwheel w/bracket
YV4522LPB	CGA 346 150°	.750 -16UNF-2A	2265 PSI	Small locking handwheel w/ bracket
YV4700LP	CGA 346 90°	.750 -16UNF-2A	2265 PSI	Small non-locking handwheel
YV4700HP	CGA 347 90°	.875 -16UNF-2A	4500 PSI	Small locking handwheel

For Product Markings Reference, see **D** in the Appendix

SCBA Valves

YV Series

SCBA Cylinder Valves

Design Specifications		
	English	Metric
Maximum Working Pressure	4500 PSI	310 Bar
Burst Pressure	PSI	Bar
Leak Rate	1x10 ⁻⁴ atm cc/sec	1x10 ⁻⁴ Bar mL/sec
Operating Temperature	-50° F to 149° F	-45° C to +65° C
Operating Torque	7-9 in-lbs.	.8 - 1 N-m
Cv	.26	.26
Bonnet Torque	15 - 20 ft.lbs.	20-27 N-m
PRD Installation Torque	10 - 12 ft.lbs.	14-16 N-m

Replacement Part Kits		
Part Number	Description	Quantity
1-3506-8PK	Stem Nut	100
3506-20PK	Chamber Repair Kit	25
3506-13PK	PTFE Packing	100
3506-9PK	Plug & Seat Assembly	50
450-14PK	Backup Ring	50
9-3506-12BPK	Stem	100
61-3506-14PK	Bonnet	100
1389-2DPK	Handwheel	25
450-40PK	Gauge Assembly	10

Materials of Construction	
Part Description	Materials of Construction
Body	Aluminum
Packing	PTFE
Handwheel	Epoxy Coated Aluminum
Bonnet	Brass C36000
Stem	Bronze
PRD Plug Assembly	
Plug	Brass C36000
Disc	Copper
Washer	Copper
Seat	PA 6/6
Seat Retainer	PTFE coated Bronze
Backup Ring	Buna-N
Spring	Stainless Steel
Bumper Guard	Polyvinyl Chloride
Drain Tube	Aluminum
Gasket	Copper C11000